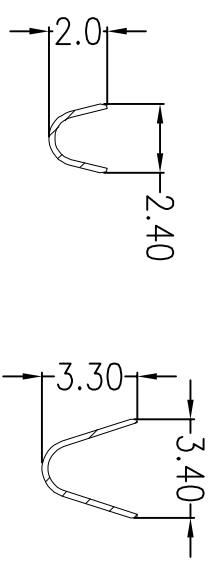
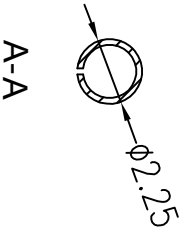
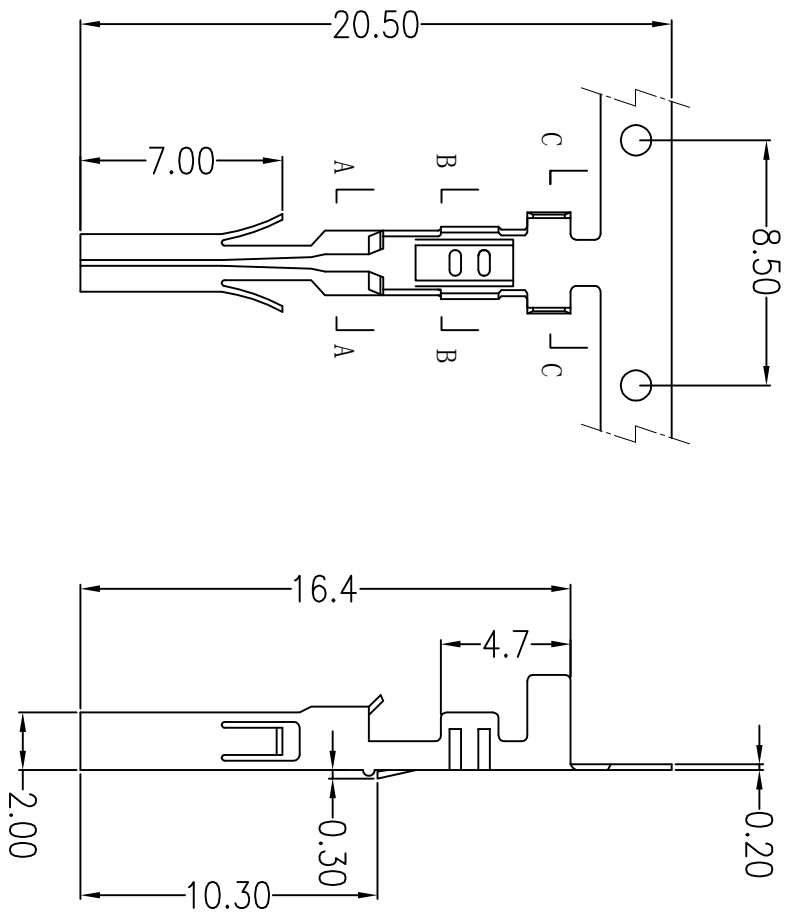


REV	ECN No.	DESCRIPTION	DESIGN	DATE
A0		Release	蒋建银	2018.01.10



B-B

C-C

Ordering Information & Specification:

Part No	Wire Range	Insulation O. D.	Material	Finish	Qty/Reel
C1581PT	AWG #18~#24	1.50~2.50mm	Phosphor bronze	Tin-plated	/
JKUN 温州健坤连接器有限公司 WENZHOU JKUN CONNECTOR CO., LTD.					
X:±0.5	X:±5°	USE: CUSTOMER	PART NO.:		
X±0.3	X±2°	APPD: 邵敬和	C1581PT		
.XX±0.25	.XX±1°	CHKD: 田峰	DWG NO.:		
--	--	DR: 蒋建银	JKUN-GCDZ-0025		
UNIT: mm			SCALE	SHEET	
			1 : 1	1 / 1	