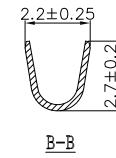
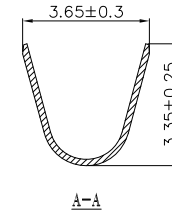
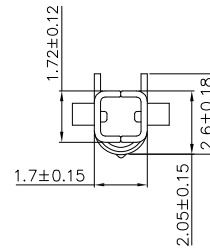
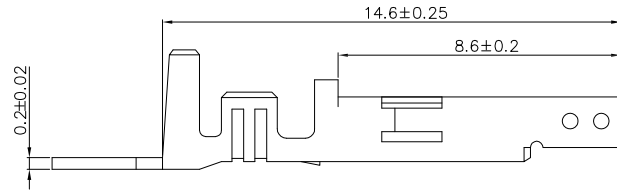
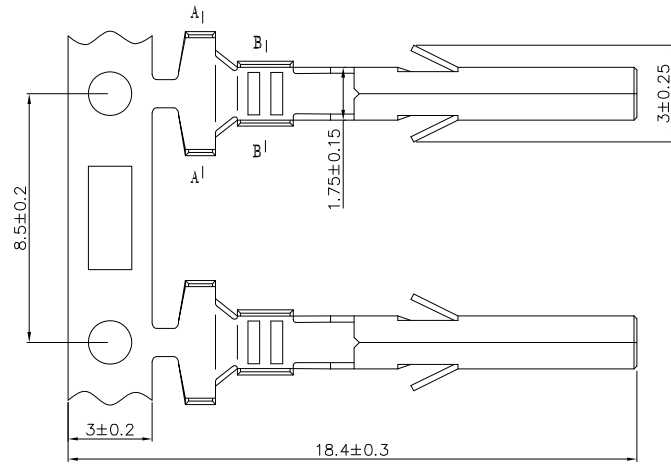


REV	ECN No.	DESCRIPTION	DESIGN	DATE
AO		Release	吴丹平	2017.04.27



主要技术参数 Main Specifications

线数 (Poles): 02 to 24

接触电阻 (Contact resistance): $\leq 20\text{m}\Omega$

绝缘电阻 (Insulation resistance): $\geq 1000\text{M}\Omega$

额定电压 (Rated voltage): 300 V AC DC

额定电流 (Rated current): 9.0A AC DC

耐电压 (Withstand Voltage): 1500V AC/minute

温度范围 (Temperature Range): $-25^{\circ}\text{C} \sim +85^{\circ}\text{C}$

适用线规 (Applicable wire): AWG #24 to #20

C					
B	CONTACT				
A	HOUSING		1 PCS	PhosphorBronze	Sn-plated
ITEM	COMPONENT	Q'TY	MATERIAL	FINISH	
JKUN 温州健坤接插件有限公司 WENZHOU JKUN CONNECTOR CO., LTD.					TITLE: C4201PT端子
X.±0.5	X.±5'	USE: CUSTOMER		PART NO.:	
.X±0.3	.X±2'	APPD: 邵敬和		C4201PT-03端子	
.XX±0.25	.XX±1'	CHKD: 田峰		DWG NO.:	
--	--	DR: 吴丹平		JKUN/GCDZ-0040	
	UNITS: mm			SCALE	SHEET
				1 : 1	1 / 1