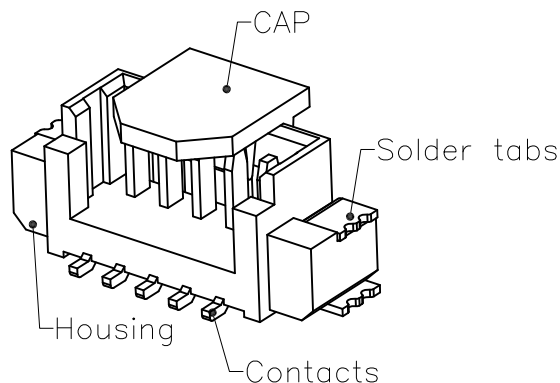
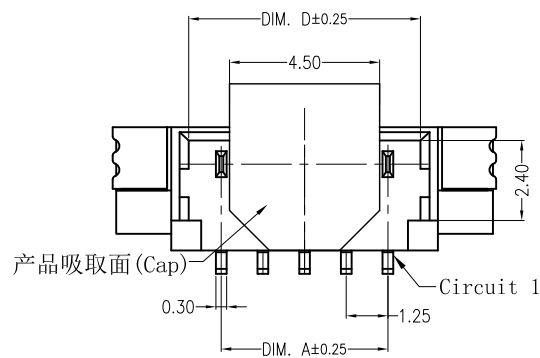
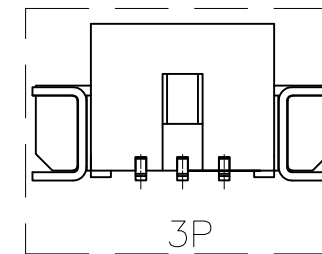
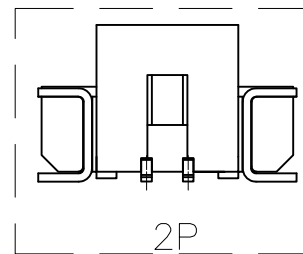
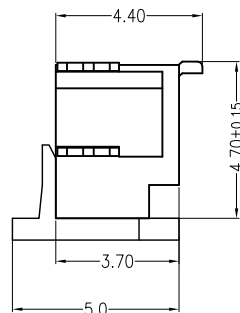
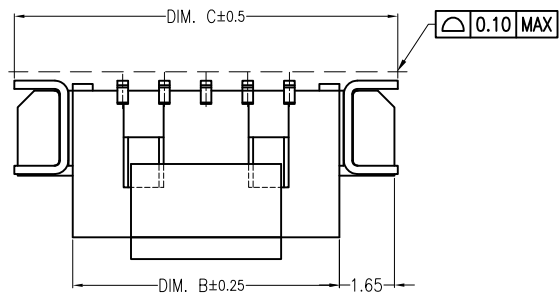


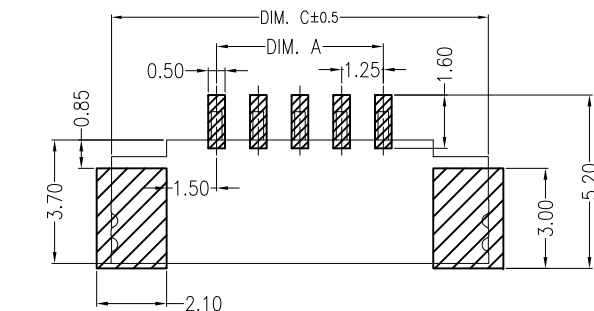
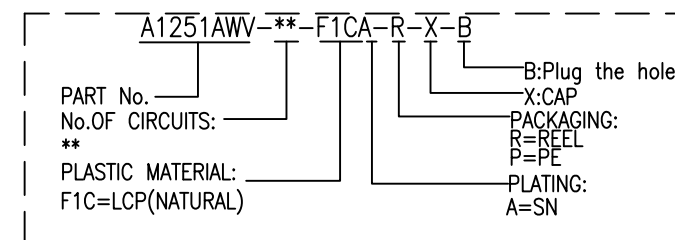
REV	DESCRIPTION	DESIGN	DATE
A0	NEW RELEASE	Wudanping	2015/10/18



Specifications:

Contact resistance: $\leq 20m\Omega$
 Insulation resistance: $\geq 100M\Omega$
 Rated voltage: 125V AC DC
 Rated current: 1.0A AC DC
 Withstand voltage: 500V AC/minute
 Temperature range: $-25^{\circ}C \sim +105^{\circ}C$
 Housing: LCP UL94V-0, Natural
 CAP: LCP UL94V-0, Natural
 Contacts: Phosphor bronze/Sn
 Solder tabs: Brass/Sn

ORDER INFORMATION:



SUGGESTED PCB LAYOUT

Circuit	Dimensions (mm)			
	DIM. A	DIM. B	DIM. C	DIM. D
02	1.25	4.25	7.75	3.20
03	2.50	5.50	9.00	4.45
04	3.75	6.75	10.25	5.70
05	5.00	8.00	11.50	6.95
06	6.25	9.25	12.75	8.20
07	7.50	10.50	14.00	9.45
08	8.75	11.75	15.25	10.70
09	10.00	13.00	16.50	11.95
10	11.25	14.25	17.75	13.20
11	12.50	15.50	19.00	14.45
12	13.75	16.75	20.25	15.70
13	15.00	18.00	21.50	16.95
14	16.25	19.25	22.75	18.20
15	17.50	20.50	24.00	19.45
16	18.75	21.75	25.25	20.70

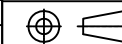
JKUN 温州健坤接插件有限公司
 WENZHOU JKUN CONNECTOR CO.,LTD.

TITLE:
1.25mm PITCH 180° WAFER SMT TYPE

GENERAL TOLERANCE	
X. ± 0.50	X. $\pm 5^{\circ}$
X.X ± 0.30	X.X $\pm 2^{\circ}$
X.XX ± 0.20	X.XX $\pm 1^{\circ}$

USE:
CUSTOMER
APPD: Shaojinghe
CHKD: Zlinglingqing
DR: Jiangjiayin

PART NO.:	A1251AW-**-F1CA-R-X-B
DWG NO.:	JKUN/GCKH-0887
SCALE	1 : 1
SHEET	1 / 1



UNITS:
mm