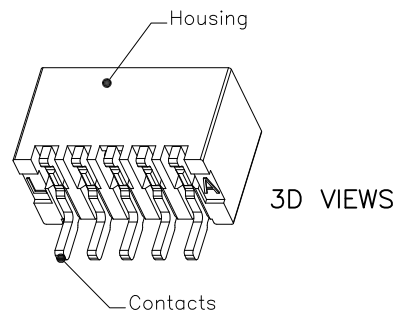
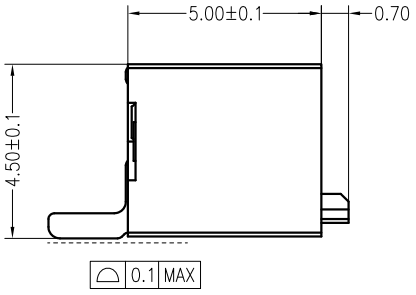
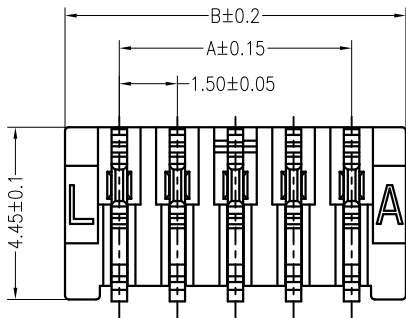


A | B | C | D | E | F

| REV | DESCRIPTION | DESIGN       | DATE       |
|-----|-------------|--------------|------------|
| A0  | NEW RELEASE | Jiangjianyin | 2018/01/20 |

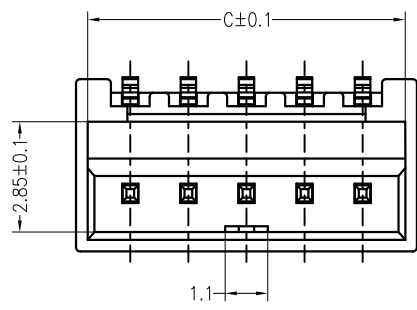
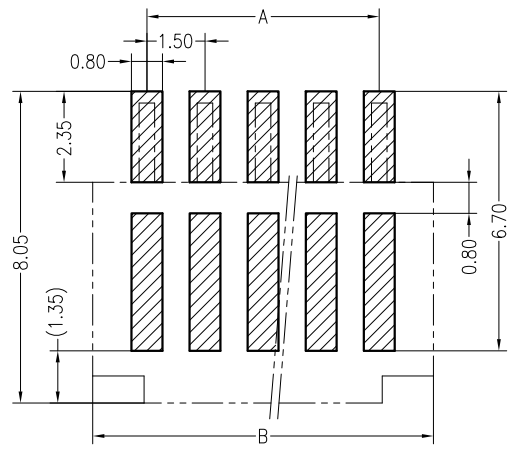
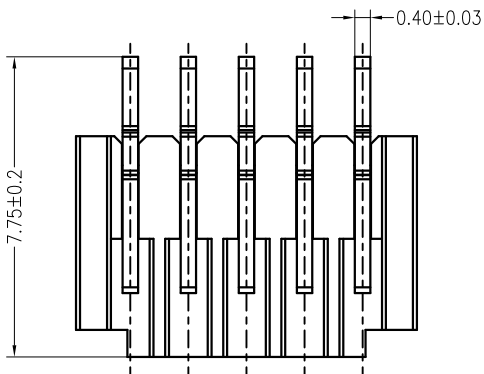
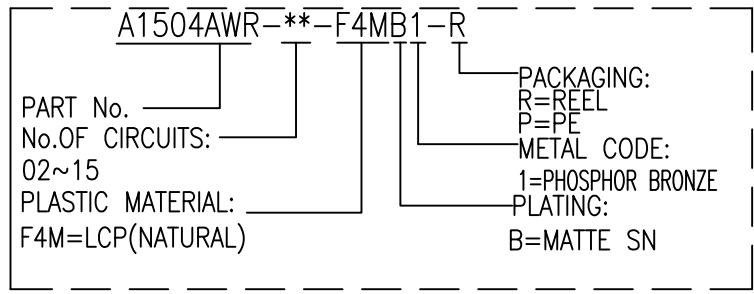


| PIN.  | DIM A | DIM B | DIM C |
|-------|-------|-------|-------|
| 2pin  | 1.50  | 4.30  | 3.70  |
| 3pin  | 3.00  | 5.80  | 5.20  |
| 4pin  | 4.50  | 7.30  | 6.70  |
| 5pin  | 6.00  | 8.80  | 8.20  |
| 6pin  | 7.50  | 10.30 | 9.70  |
| 7pin  | 9.00  | 11.80 | 11.20 |
| 8pin  | 10.50 | 13.30 | 12.70 |
| 9pin  | 12.00 | 14.80 | 14.20 |
| 10pin | 13.50 | 16.30 | 15.70 |
| 11pin | 15.00 | 17.80 | 17.20 |
| 12pin | 16.50 | 19.30 | 18.70 |
| 13pin | 18.00 | 20.80 | 20.20 |
| 14pin | 19.50 | 22.30 | 21.70 |
| 15pin | 21.00 | 23.80 | 23.20 |

**Specifications:**

- Contact resistance: ≤20mΩ
- Insulation resistance: ≥1000MΩ
- Rated voltage: 350V AC DC
- Rated current: 3.0A AC DC
- Withstand voltage: 500V AC/minute
- Temperature range: -25℃ ~ +85℃
- Housing: LCP UL94V-0, Natural
- Contacts: Phosphor bronze/MATTE Sn

**ORDER INFORMATION:**



SUGGESTED PCB LAYOUT

|  |          |   |                     |
|--|----------|---|---------------------|
| <b>JKUN</b> 温州健坤接插件有限公司<br>WENZHOU JKUN CONNECTOR CO.,LTD. |          | TITLE:<br>1.50mmPITCH 90°WAFER SMT TYPE |                     |
| GENERAL TOLERANCE  |          | USE: CUSTOMER                           | PART NO.:           |
| X. ±0.50   | X. ±5'   | APPD: Shaojinghe                        | A1504AWR-**-F4MB1-R |
| X.X ±0.30  | X.X ±2'  | CHKD: Zenglingqing                      | DWG NO.:            |
| X.XX ±0.20   | X.XX ±1' | DR: Jiangjianyin                        | JKUN/GCKH-0746      |
| UNITS: mm  |          | SCALE: 1 : 1                            | SHEET: 1 / 1        |

A | B | C | D | E | F

1  
2  
3  
4  
5

1  
2  
3  
4