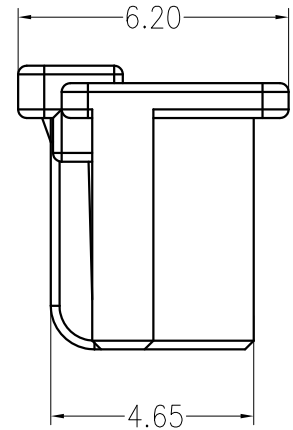
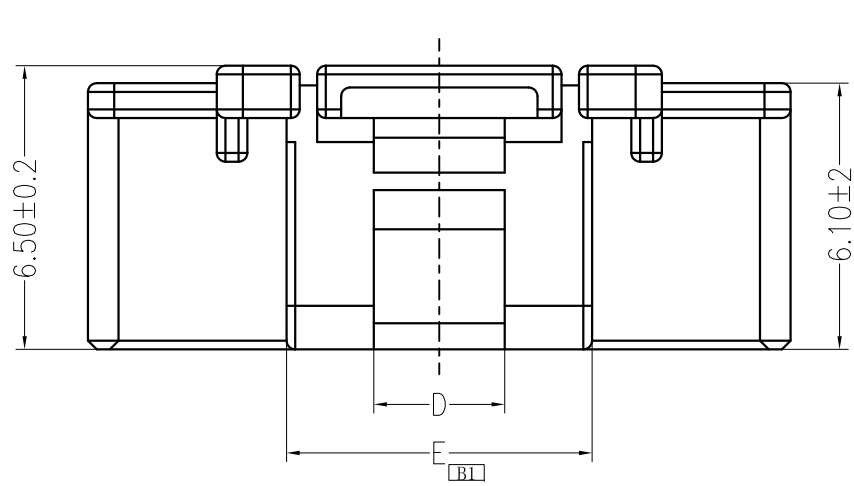


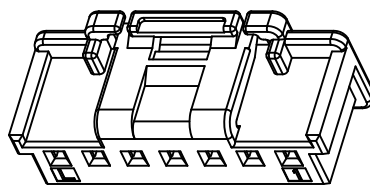
REV	ECN No.	DESCRIPTION	DESIGN	DATE
AO		Release	吴丹平	2017.06.21
B		增加标注尺寸	蒋建银	2022.01.17



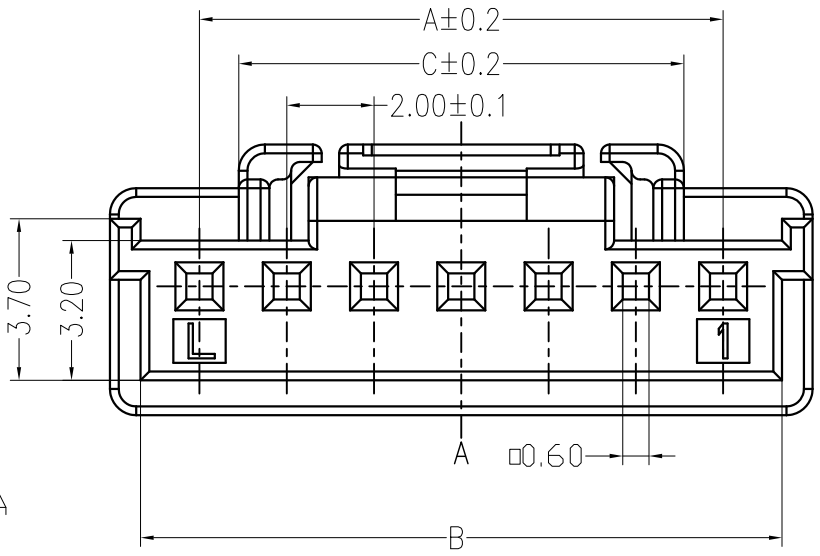
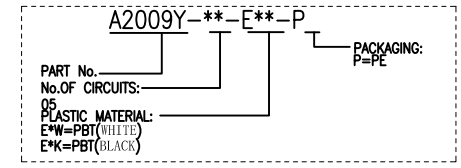
PIN.	BI					PIN.	DIM A	DIM B	DIM C	DIM D	DIM E
	DIM A	DIM B	DIM C	DIM D	DIM E						
2pin	2.00	4.70	8.00	2.00	4.70	9pin	16.00	18.70			
3pin	4.00	6.70	8.10	2.20	4.90	10pin	18.00	20.70			
4pin	6.00	8.70	10.10		6.90	11pin	20.00	22.70			
5pin	8.00	10.70	10.20	3.00	7.00	12pin	22.00	24.70	10.20	3.00	7.00
6pin	10.00	12.70									
7pin	12.00	14.70				13pin	24.00	26.70			
8pin	14.00	16.70				14pin	26.00	28.70			
						15pin	28.00	30.70			

**主要技术参数 Main Specifications**

线数 (Poles): 02 to 15  
 接触电阻 (Contact resistance):  $\leq 10m\Omega$   
 绝缘电阻 (Insulation resistance):  $\geq 1000M\Omega$   
 额定电压 (Rated voltage): 125V AC DC  
 额定电流 (Rated current): 3.0A AC DC  
 耐电压 (Withstand Voltage): 500V AC/minute  
 温度范围 (Temperature Range):  $-40^{\circ}C \sim +105^{\circ}C$



**ORDER INFORMATION:**



C				
B				
A	PEDESTAL	1 PCS	PBT	COLOR:WHITE/BLACK
ITEM	COMPONENT	Q'TY	MATERIAL	FINISH
<b>JKUN</b> 温州健坤接插件有限公司 WENZHOU JKUN CONNECTOR CO., LTD.				TITLE: A2001Y 2.0mmPITCH Housing
X±0.5	X±5'	USE: CUSTOMER	PART NO.:	
.X±0.3	.X±2'		A2009Y-**-E**-P	
.XX±0.25	.XX±1'		DWG NO.:	
--	--	CHKD: 田峰	JKUN/GCCP-0527	
⊕	UNITS: mm	DR: 蒋建银	SCALE 1:1	SHEET 1/1