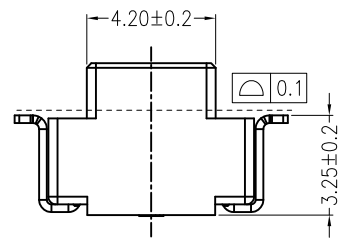
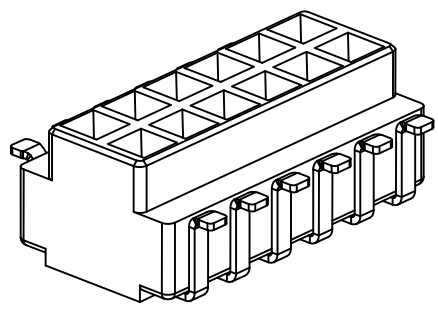
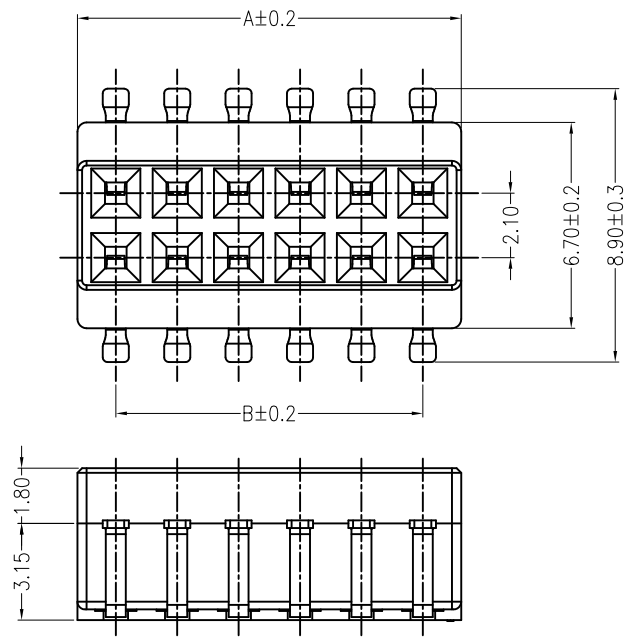
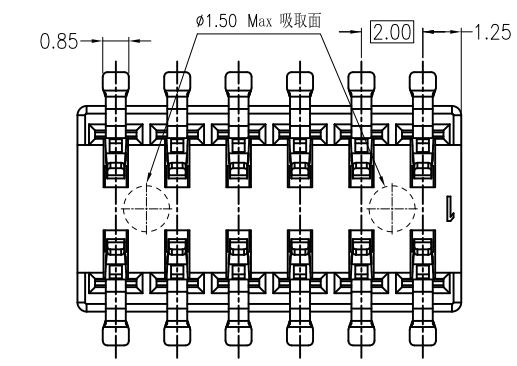


| REV | DESCRIPTION | DESIGN   | DATE       |
|-----|-------------|----------|------------|
| A0  | NEW RELEASE | Lingqing | 2020/05/04 |

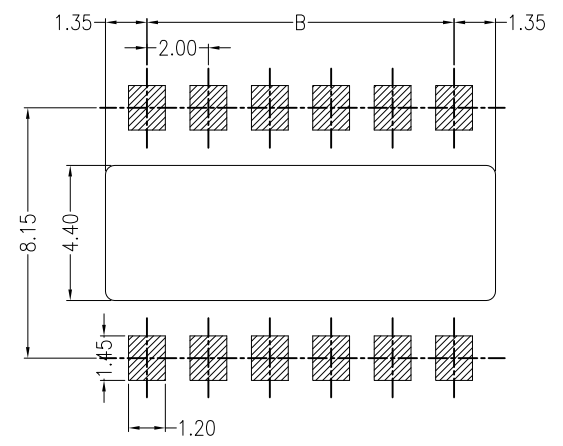


Specifications:

Contact resistance: ≤60mΩ  
 Insulation resistance: ≥100MΩ  
 Rated voltage: 275V AC DC  
 Rated current: 1.0A AC DC  
 Withstand Voltage: 500V AC/minute  
 Temperature Range: -40℃~+105℃  
 Housing: LCP UL94V-0, Natural (Beige)  
 Contacts: Phosphor Bronze/Matte Sn-plated



| PIN. | DIM A | DIM B |
|------|-------|-------|
| 2*2  | 4.5   | 2.0   |
| 2*3  | 6.5   | 4.0   |
| 2*4  | 8.5   | 6.0   |
| 2*5  | 10.5  | 8.0   |
| 2*6  | 12.5  | 10.0  |
| 2*7  | 14.5  | 12.0  |
| 2*8  | 16.5  | 14.0  |



RECOMMENDED PCB LAYOUT (TOP VIEW)  
 TOLERANCE: ±0.05mm

ORDER INFORMATION:

**L2004AFV-2\*\*-F8MB1-R**

PART No. \_\_\_\_\_  
 No. OF CIRCUITS: \_\_\_\_\_  
 2\*\*  
 PLASTIC MATERIAL: \_\_\_\_\_  
 F8M=LCP

PACKAGING:  
 R=REEL

Metal code:  
 1=Phosphor Bronze

PLATING:  
 B=MATTE Sn

|                                                            |          |                                          |                      |
|------------------------------------------------------------|----------|------------------------------------------|----------------------|
| <b>JKUN</b> 温州健坤接插件有限公司<br>WENZHOU JKUN CONNECTOR CO.,LTD. |          | TITLE:<br>2.0mm PITCH 180°WAFER SMT TYPE |                      |
| GENERAL TOLERANCE                                          |          | USE:<br>CUSTOMER                         | PART NO.:            |
| X. ±0.50                                                   | X. ±5°   | APPD:<br>Shaojinghe                      | L2004AFV-2**-F8MB1-R |
| X.X ±0.30                                                  | X.X ±2°  | CHKD:<br>Fangsongle                      | DWG NO.:             |
| X.XX ±0.20                                                 | X.XX ±1° | DR:<br>Zenglingqing                      | JKUN-GCKH-2076       |
| UNITS:<br>mm                                               |          | SCALE<br>1 : 1                           | SHEET<br>1 / 1       |